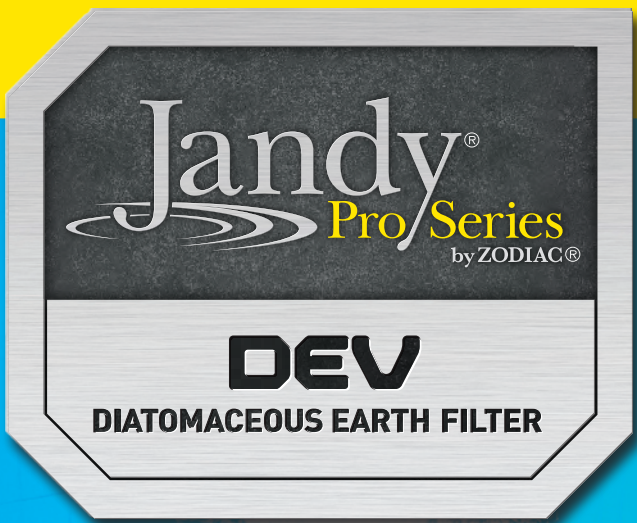


DEV
Diatomaceous Earth Filter



Dive Into
Sparkling
Clear Water



DEV

Diatomaceous Earth Filter



Clearly Superior

For unsurpassed water clarity, choose Jandy® Pro Series DEV Diatomaceous Earth filters. DEV filters have a curved grid design that creates balanced water flow throughout the filter tank for the ultimate swimming experience.

» Ergonomic Easy Grip Handles

The Jandy Pro Series DEV Filters feature comfortable, easy grip handles designed to make filter installation and cleaning easy.

» Pressure Gauge/Air Release Valve

The Jandy Pro Series DEV Filters include a unique pressure gauge with a clean/dirty indicator that can be customized for each pool, making it easy to assess filter condition.

» Extra Large 2 Inch Drain

The extra large drain port on the DEV filter allows for easy filter draining. Universal unions on the filter will fit most Jandy Pro Series products.

» Optional Anchor Bracket

Optional anchor brackets easily attach to the filter tank and mount to the pad to hold the filter securely in place. These brackets are sold separately as an accessory.

» Backwash Valves

Accommodates three types of backwash valves: Multiport, Slide and Never Lube®. Jandy DEV filters easily connect with other Jandy Pro Series equipment via Jandy Pro Series' exclusive system.

» Durable Performance

DEV filters are constructed of durable, corrosion-resistant, heavy duty high-tech polymeric materials for long-lasting performance.



SMART PHONE SCAN

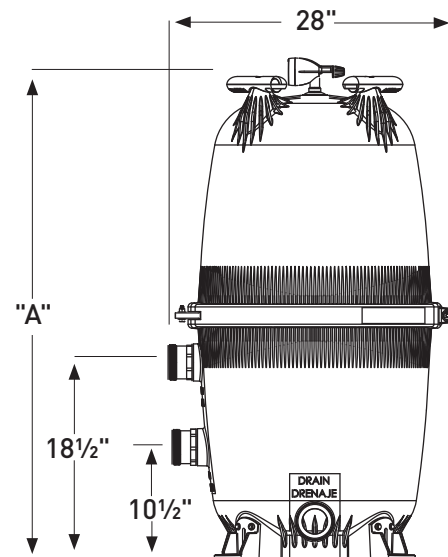
Zodiac Pool Systems, Inc.

2620 Commerce Way, Vista, CA 92081
1.800.822.7933 | www.ZodiacPoolSystems.com

Zodiac Pool Systems Canada, Inc.

2115 South Service Road West, Unit #3, Oakville, ON L6L 5W2
1.888.647.4004 | www.ZodiacPoolSystems.ca

DIMENSIONS



SPECIFICATIONS

Model Number	DEV48*	DEV60*
Filter Area	48 sq ft	60 sq ft
Design Flow Rate	2.00 gpm/ft ²	2.00 gpm/ft ²
Maximum Flow	96 gpm	120 gpm
Six Hour Capacity	34,560 gallons	43,200 gallons
Max Working Pressure	50 psi	50 psi
D.E. Required	5.0 lbs	6.0 lbs.
Shipping Weight	88 lbs	103 lbs.
Height (A)	41 inches	47 inches
Footprint	25" diameter circle	25" diameter circle
Distance Between Inlet and Outlet	8 inches	8 inches

* Jandy Pro Series DEV Filters supersede Jandy Pro Series DEL Filters

Diatomaceous earth, the natural water polisher. Diatomaceous earth is made of tiny fossil exoskeletons. When used with the DEV filter, debris as small as 5 microns are trapped, returning highly filtered water to your pool.