

FloPro Pump



Jandy®  
Pro Series  
by ZODIAC®

**FLOPRO™**  
PUMP

Compact, Versatile,  
Powerful



**ZODIAC®**



## Compact, Versatile, Powerful

FloPro is designed with an innovative adjustable base, allowing for simple installation on new construction, or quick and easy replacement of existing pumps. With the FloPro, minimal plumbing adjustments are required, thereby enabling cost effective pump replacement.

- Medium-head, high-flow pump in an ultra compact body. Excellent choice for tight equipment areas.
- Adjustable base options allow for easy replacement of select Hayward®, Pentair®, Sta-Rite®, and Jandy pumps.
- Ergonomic cam-lock lid with easy alignment indicators.
- Equipped with 2" unions & 2" internal threads.
- Quiet operation.

### » Easy to Use

Innovative pump equipped with ergonomic cam-lock lid for easy alignment and strainer basket cleaning, handle brackets, and 2" pump unions.

### » Energy And Cost Efficient

Energy-efficient 2-speed models provide uncompromising power to filter and recirculate pool and spa water while keeping costs down.

### » Easy To Install

FloPro enables easy drop-in replacement of most leading pumps. With its innovative inline connectivity, you can get rid of unsightly pipes and plumbing. FloPro Pumps make it easy to replace many existing pumps including Hayward Super Pump® or Pentair WhisperFlo® and SuperFlo® pump.

### BASE OPTIONS

Type of Base	Components	Fits
Option 1	No base required	Hayward® Super Pump®, Pentair® SuperFlo® Sta-Rite® SuperMax®
Option 2	Small base	Hayward Super II™, Jandy Pro Series PlusHP and Max HP
Option 3	Small base with spacers	Pentair WhisperFlo®, Sta-Rite Dyna-Glas™
Option 4**	Small base + large base	Sta-Rite Max-E-Pro®, Sta-Rite Dura-Glas®, Sta-Rite Dura-Glas II, Sta-Rite Max-E-Glas®

\*\*Optional: Part # R0546400



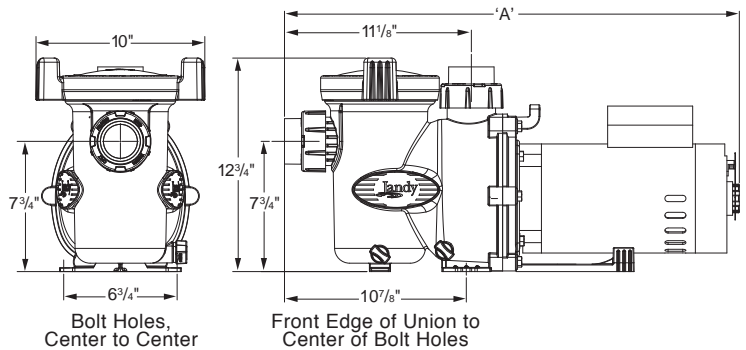
#### Zodiac Pool Systems, Inc.

2620 Commerce Way, Vista, CA 92081  
1.800.822.7933 | www.ZodiacPoolSystems.com

#### Zodiac Pool Systems Canada, Inc.

2115 South Service Road West, Unit #3, Oakville, ON L6L 5W2  
1.888.647.4004 | www.ZodiacPoolSystems.ca

### DIMENSIONS



### SPECIFICATIONS

Model No.	Horse Power	Voltage	Amps	Recommended Pipe Size	Carton weight	Overall Length 'A'
FHPM .75	.75	230/115	5.4/10.8	1 1/2"-2"	40.6 lbs.	25 3/16"
FHPM 1.0	1.00	230/115	7.1/14.2	2-2 1/2"	41.2 lbs.	25 3/16"
FHPM 1.5	1.50	230/115	8.0/16	2-2 1/2"	42.6 lbs.	25 1/2"
FHPM 2.0	2.00	230/115	11.2/22.4	2-2 1/2"	54.6 lbs.	27 3/16"
FHPM 2.5	2.50	230	11.5	2 1/2"-3"	48.6 lbs.	26 3/16"
FHPM 1.0-2-SPD	1.00	230	7.1/2.3	2-2 1/2"	46.5 lbs.	26 5/16"
FHPM 1.5-2SPD	1.50	230	8.0/3.0	2-2 1/2"	48.0 lbs.	26 5/16"
FHPM 2.0-SPD	2.00	230	11.2/3.5	2-2 1/2"	52.9 lbs.	27 11/16"

### PERFORMANCE

